

## GRIGLIA GAS E700XP GAS CHARBROILER E700XP

PNC	Model	Brand	Ref	Notes
371042	E7GRGDGC0P	ELUX	A	GRILL TOP HP 400 MM
371043	E7GRGHGC0P	ELUX	B	GRILL TOP HP 800 MM
371243	E7GRTDGC0P	ELUX	A	GRILL TOP HP 400 MM TOWN GAS
371244	E7GRTHGC0P	ELUX	B	GRILL TOP HP 800 MM TOWN GAS
<b>371439</b>	<b>E7JJCTAOMCI</b>	ELUX	A	<b>GAS GRILL TOP HP 400MM - QMARK</b>
<b>371440</b>	<b>E7JJCTAOMEI</b>	<b>ELUX</b>	<b>B</b>	<b>GAS GRILL TOP HP 800 MM</b>
372042	Z7GRGDGC0P	ZAN	C	GRILL TOP HP 400 MM
372043	Z7GRGHGC0P	ZAN	D	GRILL TOP HP 800 MM
372243	Z7GRTDGC0P	ZAN	C	GRILL TOP HP 400 MM TOWN GAS
372244	Z7GRTHGC0P	ZAN	D	GRILL TOP HP 800 MM TOWN GAS
<b>372437</b>	<b>Z7JJCTAOMCI</b>	<b>ZAN</b>	<b>C</b>	<b>GAS GRILL TOP HP 400MM - QMARK</b>
<b>372438</b>	<b>Z7JJCTAOMEI</b>	<b>ZAN</b>	<b>D</b>	<b>GAS GRILL TOP HP 800MM - QMARK</b>
<b>373042</b>	<b>N7GRGDGC0P</b>	<b>OEM</b>	<b>E</b>	<b>GAS GRILL TOP HP 400 MM</b>
<b>373043</b>	<b>N7GRGHGC0P</b>	<b>OEM</b>	<b>F</b>	<b>GAS GRILL TOP HP 800 MM</b>

**Index**

Vista generale / Main view  
Gas components / componenti gas  
Nozzles table / Tabelle ugelli  
Spare parts list / Lista ricambi

**Page**

2  
3  
4  
5-6

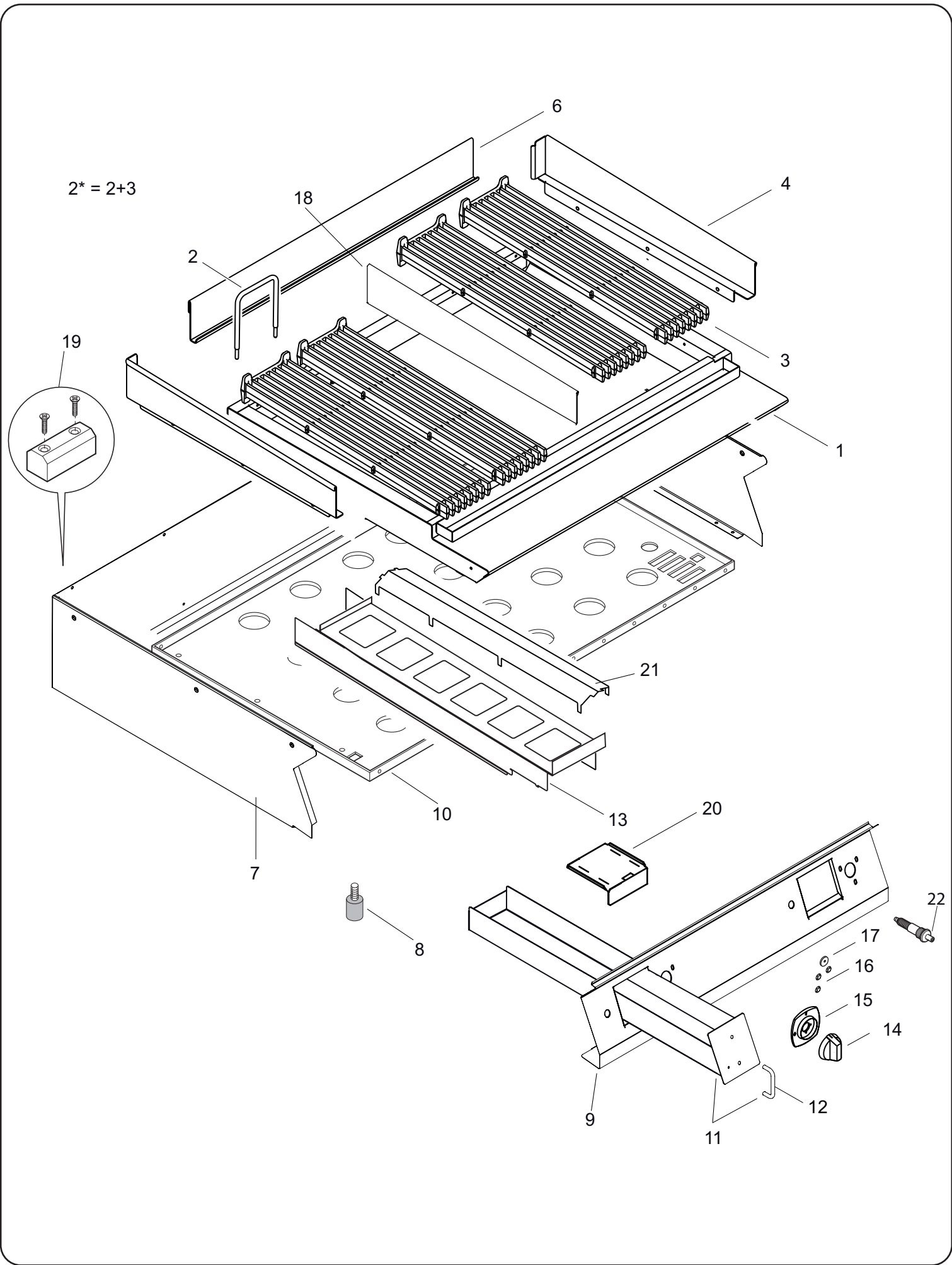
**Notes**

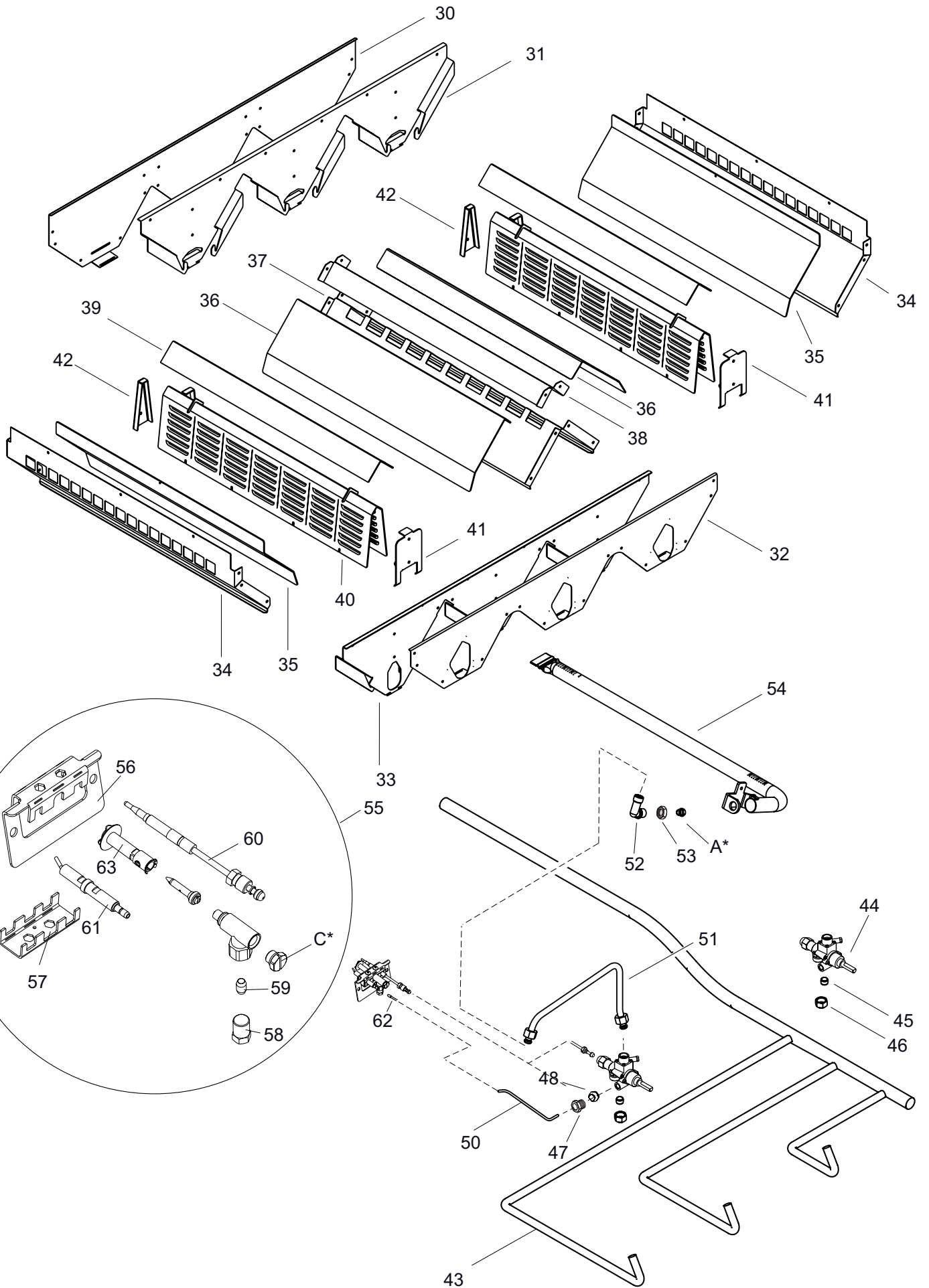
PDX2012-05 0CA783  
PDX2012-05

**Bold=last change / Grassetto =ultima modifica**

Rev. 7

From Ser. Nr. 201 Up to Ser. Nr.	Ed. 2012-06 Updated 2024-10	Page: 1	<b>Doc No:59785PA00</b>
-------------------------------------	--------------------------------	---------	-------------------------





<b>A - Ugello bruciatore / Burner nozzle</b>				
<b>Spare Part Code</b>	<b>Factory Code</b>	<b>Ref / Notes</b>		
002393	516809800	ø1.30	3+3B/P	G30 30mbar
0A2101	A05158000	ø1.25	3B/P	G30 37mbar
0A2650	A05661500	ø1.20	3B/P	G30 50mbar
0A2301	A05178000	ø1.95	2H/2E+	G20 20mbar
*	A05176400	Ø1,85	2H	G20 25mbar
058335	A05620700	ø2.05	2L	G25 25mbar
0A2301	A05178000	ø1.95	2K	G25.3 25mbar
0A2083	A05176200	ø2.20	2ELL	G25 20mbar
0A2105	A05158200	Ø2.10	2S	G25.1 25mbar
059423	514888100	Ø4.60	1a	G110 8mbar
059632	514888800	Ø4.05	1b	G120 8mbar

<b>C - Ugello Pilota / Pilot Burner nozzle</b>				
<b>Spare Part Code</b>	<b>Factory Code</b>	<b>Ref / Notes</b>		
056799	A05447200	n°20	3+3B/P	G30 30mbar
056799	A05447200	n°20	3B/P	G30 37mbar
056799	A05447200	n°20	3B/P	G30 50mbar
058525	830803600	n°30	2H/2E+	G20 20mbar
058525	830803600	n°30	2H	G20 25mbar
058525	830803600	n°30	2L	G25 25mbar
058525	830803600	n°30	2K	G25.3 25mbar
058525	830803600	n°30	2ELL	G25 20mbar
058525	830803600	n°30	2S	G25.1 25mbar
056798	A05414700	n°70	1a	G110 8mbar
056798	A05414700	n°70	1b	G120 8mbar

<b>B - Vite minimo / Min. screw</b>				
<b>Spare Part Code</b>	<b>Factory Code</b>	<b>Ref / Notes</b>		
002392	835802000	ø0,95	3+3B/P	G30 30mbar
052605	835801200	ø0.90	3B/P	G30 37mbar
056743	835807400	ø0.80	3B/P	G30 50mbar
002993	835837000	ø1.80	2H/2E+	G20 20mbar
002993	835837000	ø1.80	2H	G20 25mbar
002993	835837000	ø1.80	2L	G25 25mbar
002993	835837000	ø1.80	2K	G25.3 25mbar
002993	835837000	ø1.80	2ELL	G25 20mbar
002993	835837000	ø1.80	2S	G25.1 25mbar
-	-	adjust	1a	G110 8mbar
-	-	adjust	1b	G120 8mbar

GRIGLIA GAS E700XP  
GAS CHARBROILER E700XP

Pos	Spare Code	Factory Code	Descrizione	Description	Ref./Notes
1	0C8537	85089CU01	RIPIANO	WORK TOP	A
1	0C8536	85089CT00	RIPIANO	WORK TOP	B
1	0C8539	85089KZ01	RIPIANO	WORK TOP	C,E
1	0C8538	85089L000	RIPIANO	WORK TOP	D,F
2	0C6148	511834900	MANIGLIA PER GRIGLIA	GRID HANDLE	
<b>2*</b>		<b>85589RT00</b>	<b>GRIGLIA + MANIGLIA</b>	<b>IRON GRID + HANDLE</b>	
<b>3</b>	<b>0CB525</b>	<b>510828P00</b>	<b>GRIGLIA DI COTTURA IN GHISA SMALTATA</b>	<b>ENAMELLED IRON GRID</b>	
4	0C8542	5038A6X00	PARASPRUZZI DESTRO	RIGHT SIDE SPLASHBACK	
5	0C8543	5038A6W00	PARASPRUZZI SINISTRO	LEFT SIDE SPLASHBACK	
6	0C7277	50389L001	PARASPRUZZI POSTERIORE	BACK SIDE SPLASHBACK	A,C,E
6	0C7376	50389L101	PARASPRUZZI POSTERIORE	BACK SIDE SPLASHBACK	B,D,F
7	0C8544	85089F701	FASCIA	EXTERNAL PANEL	A
7	0C7536	85089F801	FASCIA	EXTERNAL PANEL	B
7	0C7268	85089FA01	FASCIA	EXTERNAL PANEL	C,E
7	0C8464	85089FB01	FASCIA	EXTERNAL PANEL	D,F
8	026806	315252601	PIEDINO	FOOT	
9	0C7384	85589D001	CRUSCOTTO	CONTROL PANEL	A
9	0C7144	85589AF01	CRUSCOTTO	CONTROL PANEL	B
9	0C7482	85589D203	CRUSCOTTO	CONTROL PANEL	C
9	0C7214	85589CS02	CRUSCOTTO	CONTROL PANEL	D
<b>9</b>	*	<b>80083DC00</b>	<b>CRUSCOTTO</b>	<b>CONTROL PANEL</b>	<b>E</b>
<b>9</b>	*	<b>80083DD00</b>	<b>CRUSCOTTO</b>	<b>CONTROL PANEL</b>	<b>F</b>
10	*	5038A6U01	FONDO		A,C,E
10	*	5038A6V01	FONDO		B,D,F
11	0C8540	85089L200	CASSETTO + MANIGLIA	DRAWER + HANDLE	
12	0C6653	50389CM01	MANIGLIA	HANDLE	
<b>13</b>	<b>0CB768</b>	<b>50489LT02</b>	<b>SUPPORTO GUIDA CASSETTO</b>	<b>SUPPORT FOR DRAWER RUNNER</b>	
14	0C7180	548878001	MANOPOLA	KNOB	C,D
14	0C6670	511850G01	MANOPOLA	KNOB	A,B until s/n 219 PDX2012-05
14	0C8646	54887AW00	MANOPOLA	KNOB	A,B after s/n 220 PDX2012-05
<b>14</b>	<b>0C1380</b>	<b>548865700</b>	<b>MANOPOLA</b>	<b>KNOB</b>	<b>E,F</b>
15	0C7938	54887A300	GHIERA	KNOB RING	C,D,E,F
15	0C7178	548877X00	GHIERA	KNOB RING	A,B
16	069567	218912211	MOLLETTA FISSAGGIO GHIERA	RING CONNECTION	
17	0C6171	541813800	RONDELLA IN SILICONE	WASHER; SILICONE	
18	0C9729	50489N000	DIVISORIO GRIGLIA	GRILL SEPARATOR	B,D,F
19	0C0137	516860702	PIASTRINA FISSAGGIO	PLATE FOR REAR JOINT	
<b>20</b>	*	<b>50489MA01</b>	<b>PROTEZIONE GUIDA CASSETTO</b>	<b>COVER FOR DRAWER GUIDE</b>	
21	*	50489M900	PROTEZIONE CASSETTO	COVER FOR DRAWER	
22	059251	835829600	ACCENDITORE PIEZO	PIEZOELECTRIC IGNICTER	
30	*	50489JV01	SCHERMO POSTERIORE	REAR SHIELD	A,C,E
30	*	50489FY02	SCHERMO POSTERIORE	REAR SHIELD	B,D,F
31	*	50489JZ01	SUPPORTO POSTERIORE SPECCHI	REAR SUPPORT FOR SHIELD	A,C,E
31	*	50489G201	SUPPORTO POSTERIORE SPECCHI	REAR SUPPORT FOR SHIELD	B,D,F
32	*	50489JU02	SCHERMO ANTERIORE	FRONT SHIELD	A,C,E
32	*	50489FW04	SCHERMO ANTERIORE	FRONT SHIELD	B,D,F
33	*	50489JY01	SUPPORTO ANTERIORE SPECCHI	FRONT SUPPORT FOR SHIELD	A,C,E
33	0CB426	50489G002	SUPPORTO ANTERIORE SPECCHI	FRONT SUPPORT FOR SHIELD	B,D,F
34	*	50489MD01	PARETE LATERALE CAMERA COMB.	SIDE PANEL OF COMB. CHAMBER	A,C,E

GRIGLIA GAS E700XP  
GAS CHARBROILER E700XP

Pos	Spare Code	Factory Code	Descrizione	Description	Ref./Notes
34	0CB803	50489LU01	PARETE LATERALE CAMERA COMB.	SIDE PANEL OF COMB. CHAMBER	B,D,F
35	*	50489MC01	SPECCHIO LATERALE	SIDE SHIELD	A,C,E
35	0CA156	50489M001	SPECCHIO LATERALE	SIDE SHIELD	B,D,F
36	*	50489M101	SPECCHIO CENTRALE	CENTRAL SHIELD	
37	*	50489LZ00	PARETE CENTRALE CAMINO	CENTRAL SUPPORT FOR SHIELDS	B,D,F
38	*	50589DP00	COPPO CENTRALE	CENTRAL TILE	B,D,F
39	0C9705	50489LS00	TEGOLO	TILE	
40	0CA534	83089H102	RADIATORE	RADIATOR	
41	0C9234	505899M03	BASE GUIDA ANT.SUPP.RADIATORE	SUPPORT FRONTAL	
42	*	50589C901	BASE GUIDA POST.RADIATORE	SUPPORT REAR	
43	0C8535	85589F601	RIBALTA	GAS MANIFOLD	A,C,E
43	0C8534	85589F501	RIBALTA	GAS MANIFOLD	B,D,F
44	0C7371	835875R00	RUBINETTO GAS	SAFETY GAS TAP	Until s/n 210 PDX2012-05
44	0C8647	835875R01	RUBINETTO GAS	SAFETY GAS TAP	From s/n 220 PDX2012-05
45	050682	215170716	OGIVA DA 12	DOUBLE CONE	
46	050670	214111412	DADO M 20 X 1,5	NUT	
47	052125	214164400	RACCORDO	JUNCTION	
48	052127	215199700	BICONO DIAM. 4	DOUBLE CONE DIAM. 4	
50	0C7172	51589A003	CONDUTTURA BRUCIATORE PILOTA	PILOT PIPE	
51	0C7374	80589AM01	CONDUTTURA RUBINETTO-BRUC.	GAS PIPE GAS TAP-BURNER	Up to 7171
51	0CB078	80589DV00	CONDUTTURA RUBINETTO-BRUC.	GAS PIPE GAS TAP-BURNER	From 7181
52	059375	511805801	PORTAUGELLO	INJECTOR HOLDER	
53	020997	214105101	CONTRODADO PORTAUGELLO	LOCK NUT	
54	0C8636	85589F304	BRUCIATORE PRINCIPALE	MAIN BURNER	1 for 400 mm 2 for 800 mm
55	0CA783	83089FB06	ASSIEME BRUCIATORE (pilota)	BURNER ASSEMBLY (pilot)	complete as view
56	0CB397	50689BZ01	SUPPORTO PILOTA	PILOT SUPPORT	
57	0CB398	50689C002	CONTROSTAFFA PILOTA	PILOT BRAKET	
58	052125	214164400	RACCORDO M10X1 DIAM.4	CONNECTION M8X1	
59	052127	215199700	BICONO; DIA.4	DOUBLE CONE; DIA.4	
59	053665	515827401	BICONO; DIA.4	DOUBLE CONE; DIA.4	
60	052814	830852900	TERMOCOPPIA; M9X1 L=60 CM	THERMOCOUPLE; M9X1, L=60 CM	
61	0C7141	569807J00	ELETTRODO DI ACCENSIONE	SPARK PLUG	
62	006514	638883500	CAVETTO DI ACCENSIONE	IGNITION CABLE	
63	0C7140	83089F601	ASSIEME PILOTA	PILOT ASSEMBLY	